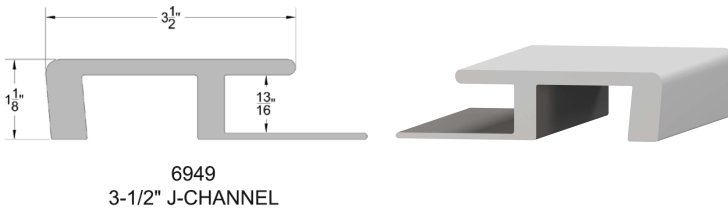


# 3-1/2" Lineal Trim (Color-Matched)

## Installation Instructions (pg 1/2)



### GENERAL INFORMATION

- Check local building codes before installation.
- Before proceeding, read all instructions for both Everlast siding and appropriate pocketed trim products.
- All pocketed trim used with Everlast siding must have a minimum pocket width of 3/4" (projection from the wall) and a minimum pocket depth of 5/8" for course runs less than 24'. Over 24', plan pocket depth of 3/4" or greater. The trim must be installed prior to installing Everlast siding.
- Do NOT install Everlast siding or Everlast trim in temperatures below 0° F.
- Inspect siding and trim for any breakage, foreign objects, surface defects, color consistency and correctness. Do NOT install questionable product.
- Use a fine tooth or vinyl saw blade to cut all material.
- Fasten material using an exterior grade nail or screw. (Recommended: galvanized/stainless/non-corrosive roofing nail or screw).
- Fasten trim through every other or every third nail hole, making sure the trim aesthetically looks good on the wall. Do not over drive the fastener--fastening too tight may cause distortion in the trim.
- To keep miter and butt joint ends tight, it is recommended to use a PVC glue or plastic weld to bond together.
- Use a glue accelerator to speed up the cure time.

### JOB SITE STORAGE

- Do NOT stack siding or trim more than 3 skids high.
- Do NOT store bundles in a vertical position.

### BEST PRACTICE

- Siding or trim should be stored inside when possible.
- Always avoid storing in direct sunlight, product should be covered and protected prior to installation using a tarp and/ or supplied shroud. Keep siding away from heat sources.
- When product is stored outside use wood (or equivalent) supports to avoid direct contact with the ground in conjunction with covering.

### PREPARING WALLS

- Everlast siding and trim must be installed over flat and level exterior walls with either 16" or 24" on-center framing.
- Everlast siding serves as a rain screen, not a weather-resistant barrier. Therefore, it must be installed over a weather-resistant barrier.
- Properly flash around all windows, doors, rake boards, chimneys, and areas of transition between dissimilar materials.
- If installing over concrete block, poured concrete, or brick, siding must be installed over 1" x 3" furring strips.

### BEST PRACTICE

If exterior walls are not flat or level, a quality underlayment should be installed first to create a flat and level surface.

### COMMON APPLICATIONS

- Lineal Trim is typically used for Window and Door Surround

### LENGTHS

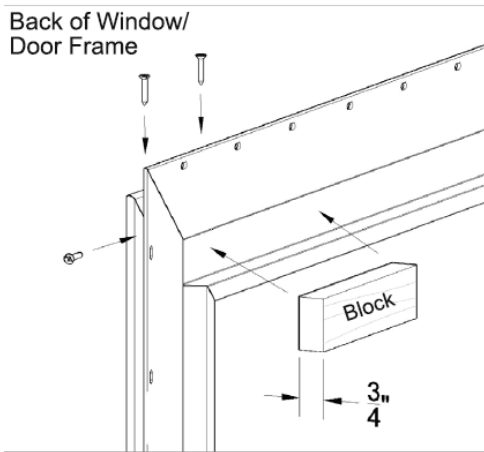
- 12'6"

### COLOR

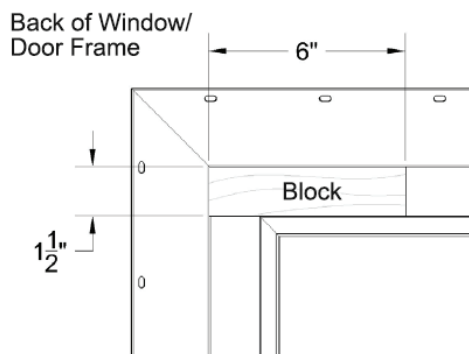
- 15 standard Everlast colors

### INSTRUCTIONS

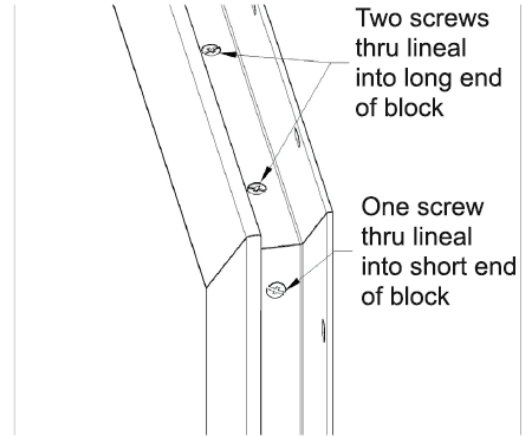
1. Installing the Everlast 3.5" window lineal will require the installer to "block" the mitered corners by following the steps below.
2. This blocking method can be done piece by piece on the wall or cut and constructed on the ground prior to installing the trim on the wall.
3. Use a 1" x 2" (actual dimension 3/4" thick, 1-1/2" wide) pressure treated board or PVC moulding to complete the blocking method.
4. If necessary, rip cut material to 3/4" thick and 1-1/2" wide.
5. Cut enough 6" pieces to complete each corner of the window and/or door.
6. Place the cut piece into the back cavity of the lineal trim.



7. Connect the mitered corners and blocking together by fastening a screw into the pocket of the lineal being sure to catch the short end of the blocking. Fasten two screws into the second lineal pocket being sure to catch the long end of the blocking.



8. Lineal trim should be fastened on the wall through the nail hem every 3 nail slots.



9. For additional detail, please visit:  
<https://www.everlastsiding.com/quick-guide-installation-videos>



For a video installation tutorial,  
visit [EverlastSiding.com/ProResources](https://www.everlastsiding.com/ProResources)

